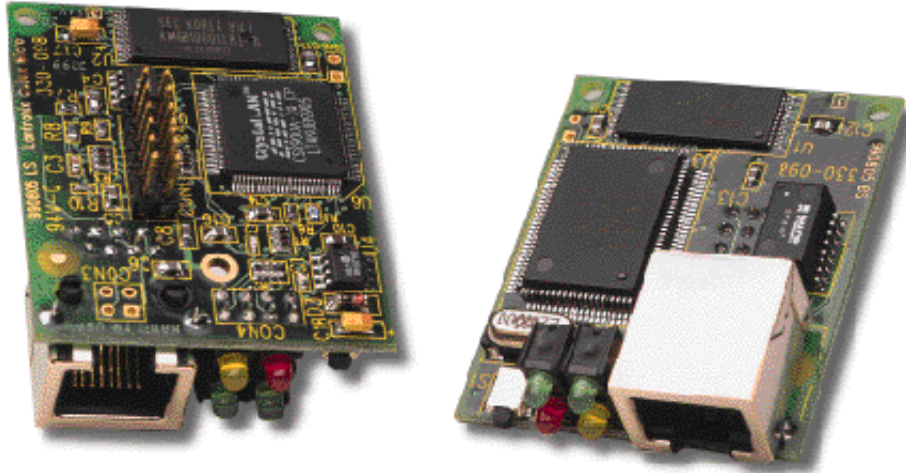


CoBox™ Micro

Universal Thin Servers



CoBox Micro Universal Thin Server

The Lantronix CoBox Micro Universal Thin Server is a board-level product for OEM users who want to embed proven mainstream Ethernet connectivity in their products quickly and economically. The CoBox Micro brings over a decade of networking experience, rock-solid IP firmware and extensive applications support to industrial and commercial environments.

Measuring only 1.6 in x 1.9 in, the CoBox Micro can easily fit into almost any size serial device that would benefit from network connectivity. Serial interfacing is accomplished via a TTL connector and for Ethernet access, an RJ45 (10BASE-T) is available. The CoBox Micro supports the same IP protocol stack found on the other Lantronix CoBox products.

- Easily network-enable any product
- Flexible, well-developed IP protocol stack
- Custom protocol support available
- Ethernet RJ45 (10BASE-T) connector on the board
- TTL serial interface
- Accepts 5V regulated input power
- Serial, Telnet and SNMP management
- Flash ROM for easy software upgrades



CoBox Micro Specifications

PROTOCOLS SUPPORTED

IP: ARP, UDP, TCP, DHCP, SNMP and TFTP

COMP ATIBILITY

Ethernet: Version 2.0/IEEE 802.3

NETWORK INTERFACE

RJ45 (10BASE-T)

SERIAL INTERFACE

TTL level (Asynchronous)

DATA RATES

300bps to 115.2Kbps

SERIAL LINE FORMATS

Characters: 7 or 8 data bits

Stop bits: 1 or 2

Parity: odd, even, none

MODEM CONTROL SIGNALS

DTR, RTS, CTS, DCD

FLOW CONTROL SIGNALS

XON/XOFF

CTS/RTS

MANAGEMENT

SNMP (read only)

Serial login

Telnet login

SYSTEM SOFTWARE

Flash ROM standard: new firmware can be downloaded from a TCP/IP host (TFTP) or over serial port

DIAGNOSTIC LEDES

Transmit Data

Receive Data

Good Link

POWER REQUIREMENTS

5VDC +/-5% at roughly 200mA

MEMOR Y

Flash: 128K

RAM: 128K

NVRAM: 512 Bytes

ENVIRONMENTAL

Standard Temperature: 0 to 70°C (32 to 158°F)

Storage Temperature: -40 to 85°C (-40 to 185°F)

PHYSICAL DIMENSIONS

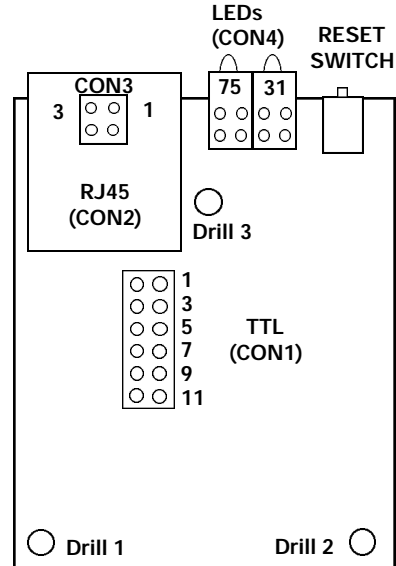
40.0mm x 49.0mm (1.574 x 1.929 in)

Mechanical drawing available at www.lantronix.com

ORDERING INFORMATION

Contact Lantronix OEMSales for ordering information

BOARD LAYOUTS and PINOUTS



CON1 (2 x 6 Pins)

Pin	Function
1	+5V
2	GND
3	RXA (Input)
4	TXA (Output)
5	RTSA (Output)
6	DTRA (Output)
7	CTSA (Input)
8	DCDA (Input)
9	R/V/A (Output)
10	RESET, to be pulled low
11	Reserved (Input)
12	Reserved (Output)

CON2 (RJ45)

Pin	Con1
1	TX+
2	TX-
3	Rx+
4	NC
5	NC
6	RX-
7	NC
8	NC

CON3 (2 x 2 pins in place of RJ45)

Pin	Function
1	TX+
2	TX-
3	RX+
4	RX-

CON4 (2 x 4 pins in place of LEDs)

Pin	Function
1	+5V
2	+5V
3	LED2
4	LED1
5	+5V
6	+5V
7	LED3
8	LED "good link"

CoBox and Lantronix are trademarks or registered trademarks of Lantronix. All other trademarks are the property of their respective owners.

LANTRONIX, 15353 Barranca Pkwy, Irvine, CA 92618 USA
 Phone: 949-453-3990
 OEM Sales: 800-422-7022 or 949-453-7177
 OEM Fax: 949-453-7132
oem@lantronix.com
www.lantronix.com

